



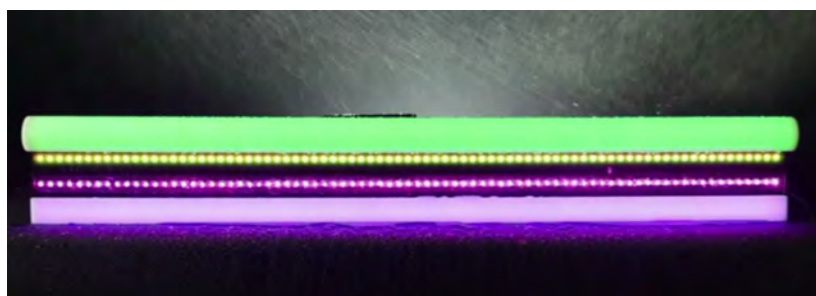
PL180 PIXTRIP

Strip Bar Pixel Led 1mt
RGB IP65

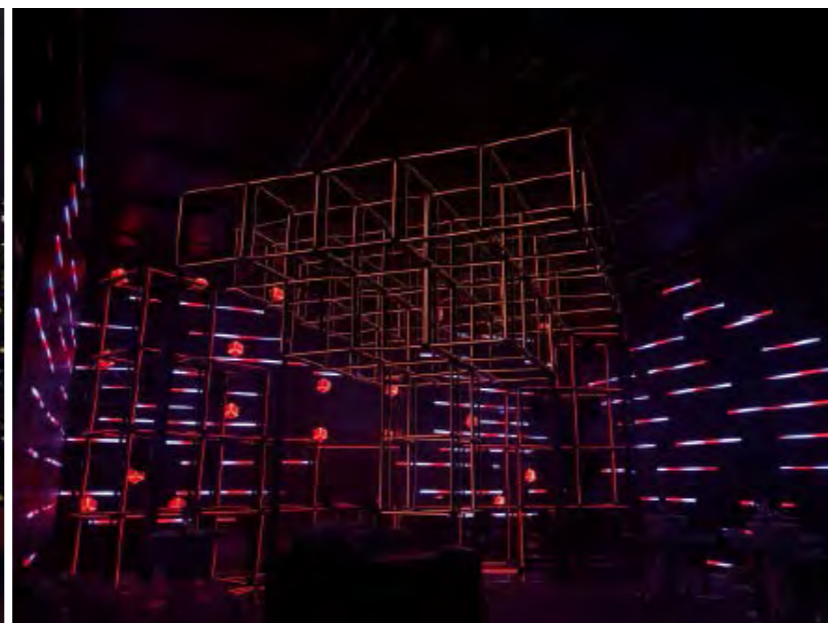
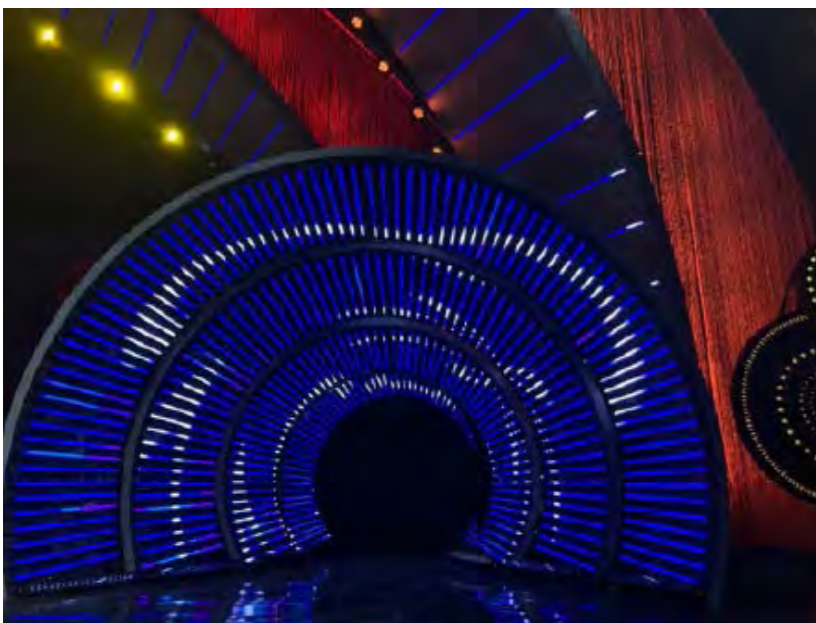
- Pixtrip is professional quality dynamic LED pixel mapping strip fixture IP65
- Easily configure and program your shows in minutes with minimum time/effort for sizzling looks
- Flat Square cover include, optional Black, Transparent and Round cover to create other stunning pre-built content
- Power and control it through our new Strip Controller Drive IP on Art-Net, DMX, RDM, sACN.
- This fixture can be widely used in theatre, festivals, concert touring, building, banquet, indoor and outdoor exhibition and other places.
- One output controls 8mt pieces of Pixtrip. One controller controls 32 pieces of Pixtrip 1mt PL180 in total. You can to mix the PIXTRIP 0.5 and 1mt, but is very important that you connect maximum up to 8mt of PIXTRIP par Output



Housing color ■■■



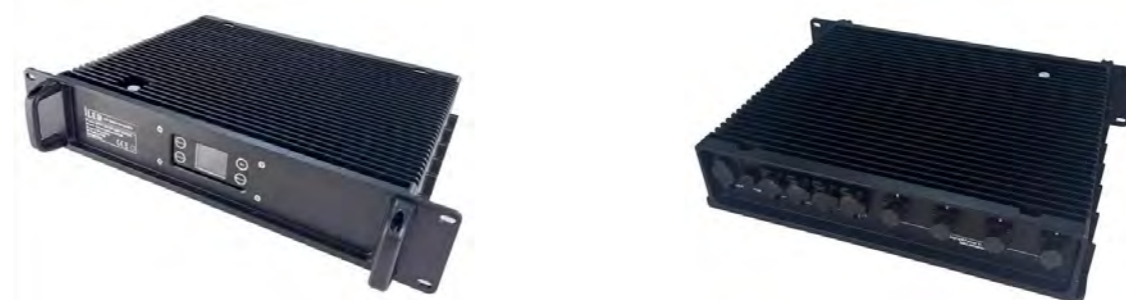
Round
Flat Black
Transparent
Square



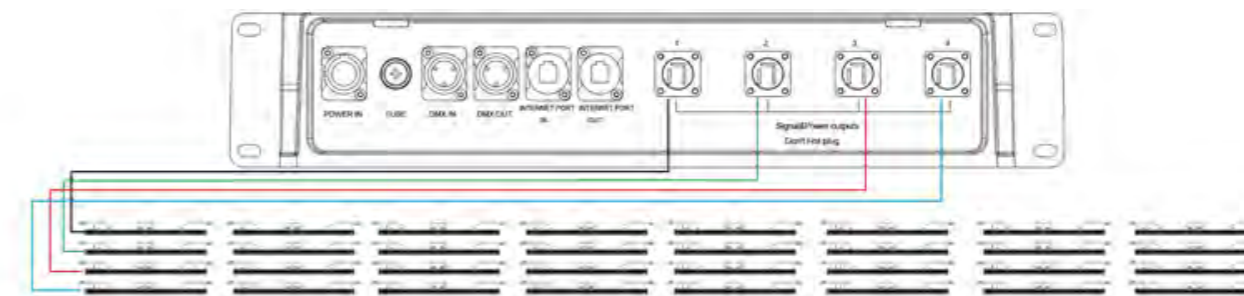
Parameter ■■■

| | | | |
|---------------|--------------------------------|------------------|---|
| LED Qty | 80 LEDs (tri-color) | Dimensions | 1000x35x100mm(with handle) |
| LED Type | SMD 5050 RGB | N.W. | 2Kg |
| Beam angle | 120° | Housing material | Die-cast aluminium |
| Input voltage | 36V | Housing color | Black |
| Power | 25W (all on) | Power cable | 5-Pin cable (signal+power) |
| Pixel | 1LED/2LEDs/4LEDs as 1Pixel | EMC | EMC CE |
| Cooling | Natural Cooling | T°Operativity | -20°C~40°C |
| Control mode | Art-Net, DMX, RDM, sACN | IP Grade | IP65 |
| DMX channel | 1/3 DMX channels USITT DMX-512 | Cover | Square (optional Black, Transparent, Round) |

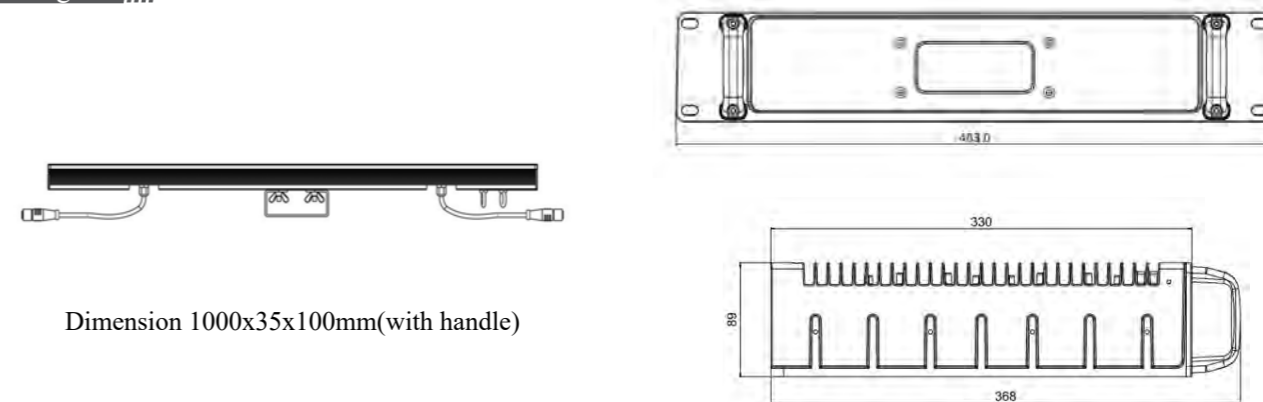
Controller ■■■



Linking ■■■



Drawings ■■■



Dimension 1000x35x100mm(with handle)