

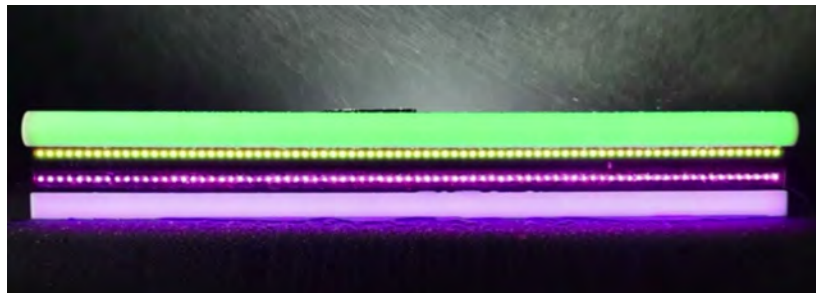


**PL0540 PIXTRIP**  
Strip Bar Pixel Led 0.5mt  
RGB IP65

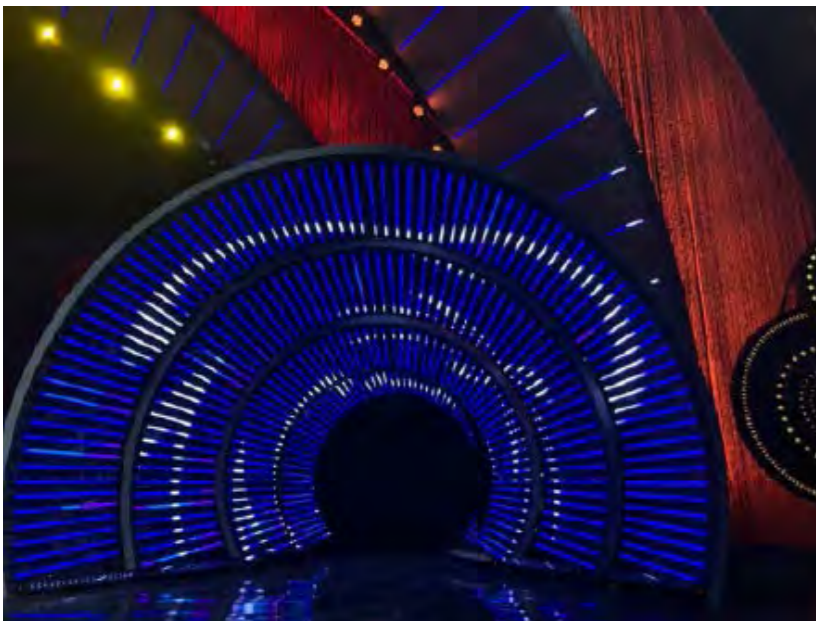
- Pixtrip is professional quality dynamic LED pixel mapping strip fixture IP65
- Easily configure and program your shows in minutes with minimum time/effort for sizzling looks
- Flat Square cover include, optional Black, Transparent and Round cover to create other stunning pre-built content
- Power and control it through our new Strip Controller Drive IP on Art-Net, DMX, RDM, sACN.
- This fixture can be widely used in theatre, festivals, concert touring, building, banquet, indoor and outdoor exhibition and other places.
- One output controls 8mt pieces of Pixtrip. One controller controls 64 pieces of Pixtrip 0.5mt PL0540 in total. You can to mix the PIXTRIP 0.5 and 1mt, but is very important that you connect maximum up to 8mt of PIXTRIP par Output



Housing color ■■■



Round  
Flat Black  
Transparent  
Square



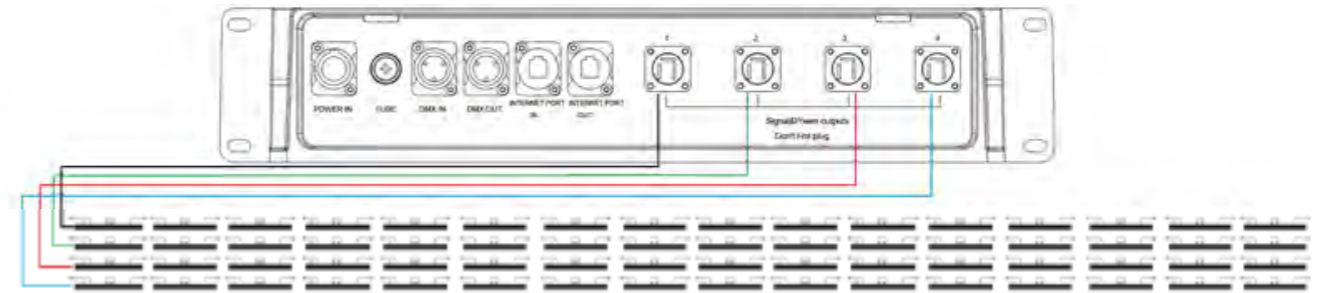
Parameter ■■■

LED Qty	40 LEDs (tri-color)	Dimensions	500x35x100mm(with handle)
LED Type	SMD 5050 RGB	N.W.	1.35 Kg
Beam angle	120°	Housing material	Die-cast aluminium
Input voltage	36V	Housing color	Black
Power	12.5W (all on)	Power cable	5-Pin cable (signal+power)
Pixel	1LED/2LEDs/4LEDs as 1Pixel	EMC	EMC CE
Cooling	Natural Cooling	T°Operativity	-20°C~40°C
Control mode	Art-Net, DMX, RDM, sACN	IP Grade	IP65
DMX channel	1/3 DMX channels USITT DMX-512	Cover	Square (optional Black, Transparent, Round)

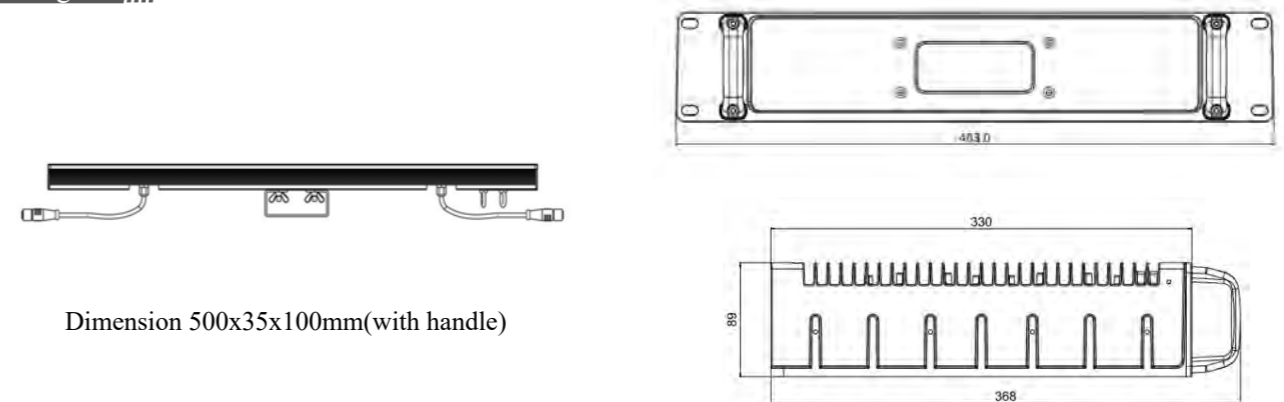
Controller ■■■



Linking ■■■



Drawings ■■■



Dimension 500x35x100mm(with handle)